

# 350 VK TC

## Manual Vertical Slicer

**NBI**   
**MANCONI**



Conform to UL std 763  
Conform to NSF std 8  
Certified to CSA std C22.2 NO.195

- Gear box or belt transmission, 1/2 HP
- 350mm blade diameter
- Integrated knife Sharpener
- Electrical protection IPX3
- Ergonomic operating height
- Great and precise cutting capacity

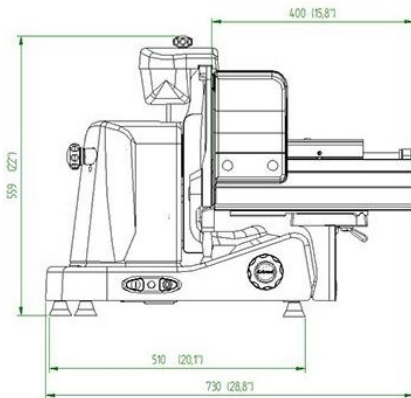
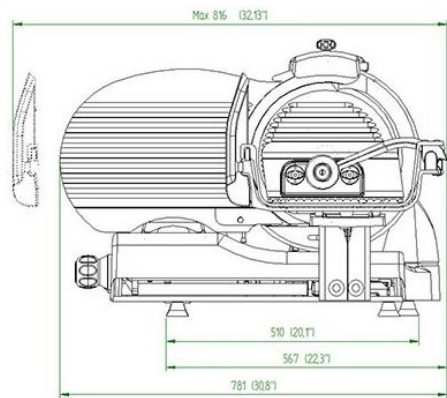
**Retail Scales, Automatic Wrapping Systems & Slicers**  
**NEW BRUNSWICK INTERNATIONAL, INC.**

## Features

- Manual vertical slicing machine, with blade enhanced cutting section
- Durable long lasting finish and stress resistant
- Large plate with long stroke and wide platform with smooth edges for large items
- Precision slicing mechanism minimizing waste
- Consistent cut thickness for life of machine
- Easy to load (low loading height); reduces operator strain
- Reduced foot counter space, operator safety & cleaner working area
- Easy to use; Built-in sharpener with precise sharpening increases blade life
- Plate with swinging and removable remnant holder in aluminum
- Ultra smooth, polished aluminum surfaces and accurate grooves to reduce friction and simplify cleaning
- Removable sharpener, blade guard, deflector, stub, plate and remnant holder for easy cleaning
- Carriage with self-locking clamping device
- Easy to clean, saves time and money

## Optional Features

- Teflon coated blade
- Teflon coated slice thickness plate & blade cover
- Removable aluminum meat press (option)



### Technical Features- 350 VK TC Specifications

Overall Dimensions	32.13 x 28.74 x 22.01in
Horsepower	Gear driven motor, 1/2 HP
Blade diameter	13.78" dia, (350 mm)
Blade speed	230 rpm (belt), 200 rpm (gear)
Slice thickness	0 to .94 in
Carriage travel	14.57 in
Electrical Protection	IPX3 (Motor IPX5)
Net weight	117.95 lbs
Electrical Specifications	220-230V/ 290W a.c. monophase; 220-230V/ 380-400V /350W a.c.
Cutting Capacity	Ø 9.92" - □13.19" x 9.92"

## New Brunswick International,



**Corporate Headquarters**  
 76 Veronica Ave  
 Somerset, NJ 08873  
 TEL: (732) 828-3633  
 FAX: (732) 828-4884

**West Coast Office**  
 530 West Central Ave. Suite C  
 Brea, CA 92821  
 TEL: (714) 671-7911  
 Fax: (714) 671-0798

[www.nbidigi.com](http://www.nbidigi.com)